

# Shielded Jacketed 9L283XX Series

.050" Pitch, 28 AWG, PVC

## Product Description

Belden's shielded jacketed 9L283XX series was designed to help meet the FCC EMI/RFI requirements. In addition, the cable provides shielding from external electrical interference along with excellent crosstalk attenuation. The thin extruded jacket allows for greater flexibility, ease of termination, and reduced space requirements, while providing exterior protection from the environment. The core cable is Belden's 9L280XX PVC series allowing easy termination to any standard IDC connector. All cables are 100% shielded with a Duofoil® shield (aluminum/polyester/aluminum) and can be terminated with the two 28 AWG drain wires. Thirteen various conductor counts are standard; other sizes are available upon request. The cable is UL approved and CSA certified, and passes the VW-1 Vertical Wire Flame Test.

**Color Code:** Gray with Red polarity stripe.

**Application:** External interconnection or internal wiring of electronic equipment.

## Physical Specifications

<b>Conductor</b>	28 AWG (7x36) Tinned Copper
<b>Insulation</b>	.010" Nom. Wall Gray PVC
<b>Pitch</b>	.050" ± .002"
<b>Shielding</b>	Duofoil Shield (Aluminum/Polyester/Aluminum)
<b>Drain Wires</b>	Two 28 AWG (7x36) Tinned Copper
<b>Jacket</b>	.038" Nom. Wall Black PVC
<b>Temperature Rating</b>	-20 to +105°C
<b>Flammability Rating</b>	UL: VW-1; CSA: FT1
<b>UL Approval</b>	File #E12683, Style 20081
<b>CSA Approval</b>	File #LL7874, CSA AWM II A 105°C 300V FT1
<b>Packaging</b>	100

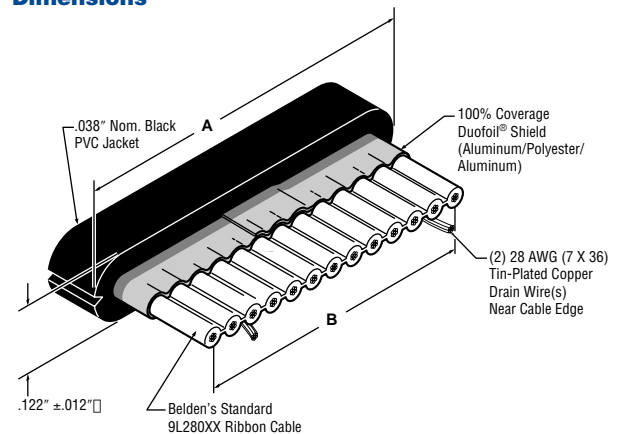
## Electrical Specifications

<b>Voltage Rating</b>	300V RMS
<b>Current Rating</b>	1A
<b>Conductor Resistance</b>	68.2Ω/1000 ft.
<b>Insulation Resistance</b>	>1 x 10 <sup>10</sup> Ω • 10 ft. (3m)
<b>Impedance*</b>	45Ω
<b>Capacitance* (@ 1 MHz)</b>	50 pF/ft. (164 pF/m)
<b>Inductance* (@ 1 MHz)</b>	.11 μH/ft. (.36 μH/m)
<b>Propagation Delay*</b>	1.70 ns/ft. (5.6 ns/m)

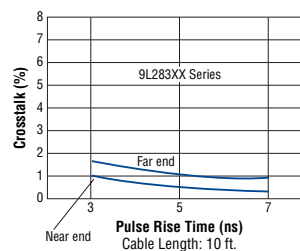
\*Test Configuration: G-S-G (ground-signal-ground), with shield grounded.

Part No.	No. of Cond.	Dimensions			
		Width "A"		Span "B"	
		Inch	mm	Inch	mm
9L28309	9	.55	13.97	.40 ±.008	10.16 ±.20
9L28310	10	.60	15.24	.45 ±.008	11.43 ±.20
9L28315	15	.85	21.59	.70 ±.008	17.78 ±.20
9L28320	20	1.10	27.94	.95 ±.008	24.13 ±.20
9L28325	25	1.35	34.29	1.20 ±.008	30.48 ±.20
9L28326	26	1.40	35.56	1.25 ±.008	31.75 ±.20
9L28334	34	1.80	45.72	1.65 ±.008	41.91 ±.20
9L28337	37	1.95	49.53	1.80 ±.012	45.72 ±.30
9L28340	40	2.10	53.34	1.95 ±.012	49.53 ±.30
9L28350	50	2.60	66.04	2.45 ±.012	62.23 ±.30
9L28360	60	3.10	78.74	2.95 ±.012	74.93 ±.30

## Dimensions



## Unbalanced Crosstalk\*



## Attenuation\*

