

Breakout Cables

Indoor

De- scription	Part No.	No. of Fibers	Standard Lengths		Standard Unit Weight		Fiber Size µm	Nom. Buffer/ Tube OD		Strength Members	Nominal OD		Central Element mm	Pulling Tension N	Crush Re- sistance kN/m	Energy kJ/m	Bending Radii Cable (mm)	
			ft.	m	lbs.	kg		inch	mm		inch	mm					static	dyna- mic

GIBT • Tight Buffer • With Rip Cord • I-V(ZN)HH

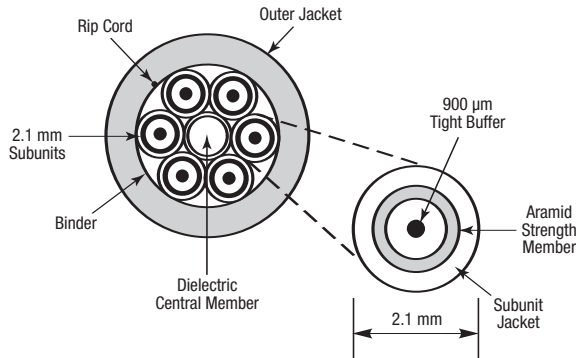
Dry Construction • Orange FRNC/LSNH Jacket

-5/55°C	IEC 60332-1	6888	2100			Ø 280 ± 15			Reinforced Aramid Yarn	0.08	2.1	Filler						
---------	-------------	------	------	--	--	------------	--	--	---------------------------	------	-----	--------	--	--	--	--	--	--



Rip Cord

GIBTx02	2		115.7	52.5					2 + 2 BE	0.21	5.3		400	7.5	379	53	80
GIBTx04	4		143.5	65.1					CE + 4	0.24	6.2		400	7.5	507	62	93
GIBTx06	6		273.1	123.9					CE + 6	0.31	8.0		600	7.5	928	80	120
GIBTx08	8		356.5	161.7					CE + 8	0.37	9.4		800	7.5	1235	94	141
GIBTx12	12		402.8	182.7					3 + 9	0.41	10.5		1200	7.5	1424	105	158
GIBTx24	24		810.2	367.5					2 + 8 + 14	0.56	14.3		2400	7.5	2677	143	215



Color Code: see chart page 16.23

GIBK • Semi-Tight Buffer • With Rip Cord • Excellent Strippability • I-K(ZN)HH

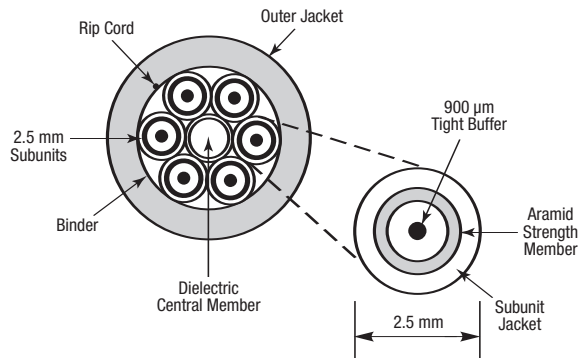
Dry Construction • Orange FRNC/LSNH Jacket

-5/55°C	IEC 60332-1	6888	2100	115.3	52.3	Ø 245 ± 10			Reinforced Aramid Yarn	0.10	2.5	Filler					
---------	-------------	------	------	-------	------	------------	--	--	---------------------------	------	-----	--------	--	--	--	--	--



Rip Cord

GIBKx02	2		120.4	54.6					Flat		6.30 x 3.8		400	7.5	382	-	-
GIBKx04	4		185.2	84.0					CE + 4	0.28	7.2		400	7.5	607	72	108
GIBKx06	6		338.0	153.3					CE + 6	0.37	9.4		600	7.5	1124	94	141
GIBKx08	8		430.6	195.3					CE + 8	0.43	10.9		800	7.5	1450	109	164
GIBKx12	12		513.9	233.1					3 + 9	0.46	11.8		1200	7.5	1675	118	177



Color Code: see chart page 16.23

Optical characteristics see page 16.21.